

DESCRIPTION

These blocks are very useful because they may be used in many applications as shown in the accompanying illustrations.

Many built-in features include captive cable retaining pin that prevents the conductor escaping from the block.

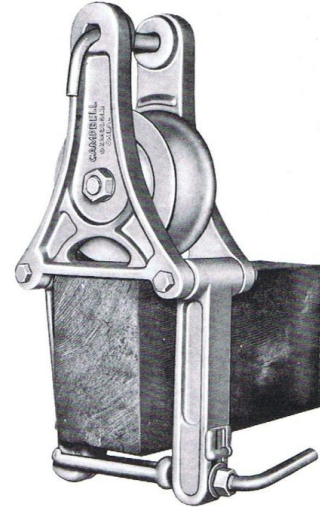
The crossarm grips are designed to clamp all arms 4" x 6" or smaller. A single handle-screw quickly and easily actuates the grips which may be removed if other attachments are to be used.

The block frames and sheave are made from high-strength aluminum alloys. The edges are rounded to prevent chaffing of the conductor.

All steel parts are plated to prevent rusting.

A choice of self-lubricating bronze, ball, or tapered roller bearings is offered. The tapered bearing absorbs side loads (THRUST), and assures free-turning sheaves when either stringing or sagging.

A choice of conductive-type Neoprene liner, or Urethane liner is offered and is extra.



A7400 Series

COMBINATION-TYPE CROSSARM BLOCKS

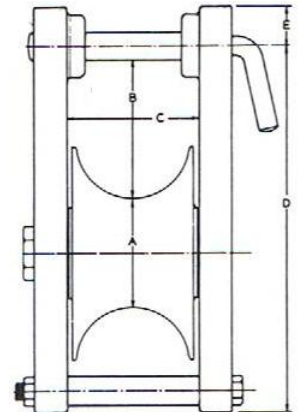
MODEL NUMBER	SHEAVE DIAMETER	CONDUCTOR CAPACITY		WORKING LOAD POUNDS	WEIGHT POUNDS
		WITHOUT LINERS	WITH LINERS		
A7441	4"	1"	3/4"	3,000	7-1/2
A7442	4"	1-5/8"	1-3/8"	3,000	8
A7451	5"	1"	3/4"	3,000	8
A7452	5"	1-5/8"	1-3/8"	3,000	8-1/2
A7453	5"	2"	1-3/4"	3,000	9
A7454	5"	4"	3-3/4"	3,000	10
A7471	7"	1"	3/4"	3,000	10
A7472	7"	2"	1-3/4"	3,000	12
A7481	8"	1"	3/4"	3,000	12
A7482	8"	2"	1-3/4"	3,000	14
A74102	10"	1-1/4"	1"	3,500	15
A74123	12"	2"	1-3/4"	3,500	17

Block prices include crossarm grips .

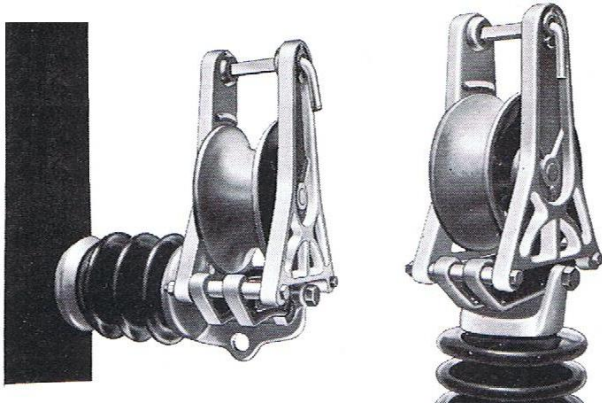
Crossarm Grips, 1 Set each \$. When block is wanted less crossarm grips a deduction will be made.

Pin Base Plates are available upon request. The pin is inserted through a hole in the crossarm and attached via a steel plate with pipe ends on hinge pins. See illustration A7400-5 below specifications and attachments.

SPECIFICATIONS				
BLOCK NO.	A	B	C	D
A7441	2-1/2"	3"	1-7/8"	8
A7442	2-3/4"	3"	2-1/4"	8
A7451	2-5/8"	3"	1-7/8"	9
A7452	2-5/8"	3"	2-1/4"	9
A7453	2-1/2"	3"	3"	9
A7454	2-1/2"	3"	3"	9
A7471	5-1/8"	3"	1-7/8"	11-1/2"
A7472	4-1/2"	3"	3=1/4"	11-1/2"
A7481	6"	3"	1-7/8"	12"
A7482	5-1/4"	3"	3"	12"
A74102	7-1/4"	3"	2"	15"
A74123	9"	3"	3"	17"



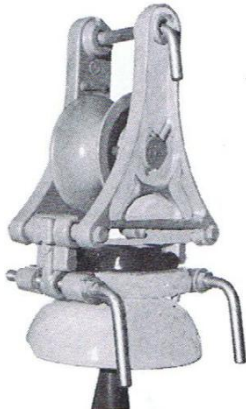
LINE POST INSULATOR ATTACHMENTS



INSULATOR ADAPTER NO. 12

Adapters fit all line post insulators and the following block numbers: A7452; A7453; A7454; A7472; A7482; A74102; A74123. Please specify which block number.

TIE-TOP INSULATOR ATTACHMENTS



Adapters for attaching blocks to tie-top insulators.

Rubber lined to protect insulator.

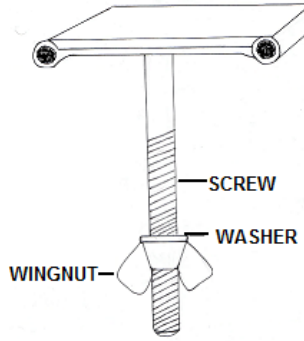
TIE-TOP INSULATOR ADAPTER NO. 21 AND NO. 24

NO. 21 FOR 15KV INSULATOR

NO. 24 FOR 34.5KV INSULATOR

For block nos: A7452; A7453; A7454; A7472; A7482; A74102; A74123. Please specify which block number.

ACCESSORIES



PIN BASE PLATE

Pin Base Plate for use with the Series A5100, Series A5300, and the Series A7400 blocks. It takes the place of the grips in the spacers between the frames. The screw fits down through the hole in the crossarm of the pole. Please specify the block number to be used with the Pin Base Plate.