

**DESCRIPTION**

A multi-purpose block designed for stringing transmission, distribution or static lines.

Attaches to suspension insulators or crossarms, with grip accessory. May be used on line post insulators with adapters listed below.

Yoke, frame and sheave castings are made from high-strength aluminum alloys. These parts are made in permanent metal molds and the molten metal is forced into the mold under pressure to assure strong uniform non-porous castings.

All steel parts are plated to prevent rusting.

A single self-locking, non-loseable handle pin securely locks block.

Crossarm grips are detachable, fit all distribution crossarms and securely clamp block.

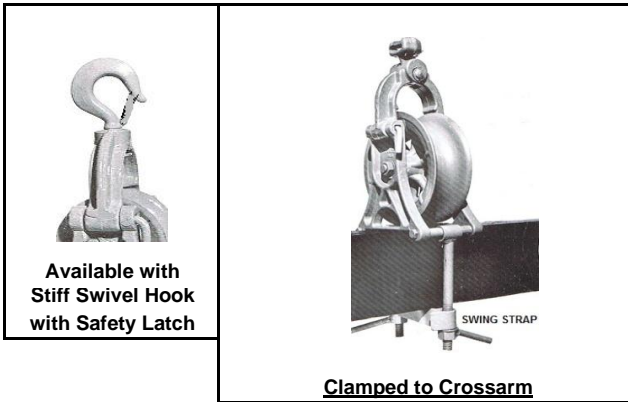
Forged steel swivel hooks are optional over standard socket eyes. Specify choice when ordering.

A choice of self-lubricating bronze, ball, or tapered roller bearings is offered. The tapered bearing absorbs side loads (THRUST), and assures free-turning sheaves when either stringing or sagging.

A choice of conductive-type Neoprene liner, or Urethane liner is offered and is extra.

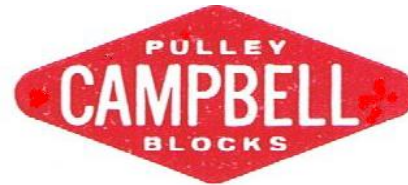


Attached to Insulator



Available with Stiff Swivel Hook with Safety Latch

Clamped to Crossarm



**A5100 Series**

**ALL-PURPOSE BLOCKS**

| MODEL NUMBER | SHEAVE DIAMETER | CONDUCTOR CAPACITY |             | WORKING LOAD POUNDS | WEIGHT POUNDS |
|--------------|-----------------|--------------------|-------------|---------------------|---------------|
|              |                 | WITHOUT LINERS     | WITH LINERS |                     |               |
| A5151        | 5"              | 1"                 | 3/4"        | 3,000               | 6             |
| A5153        | 5"              | 2"                 | 1-3/4"      | 3,000               | 8             |
| A5181        | 8"              | 1"                 | 3/4"        | 3,500               | 10            |
| A5182        | 8"              | 2"                 | 1-3/4"      | 3,500               | 12            |
| A5110C       | 10"             | 1-3/4"             | 1-1/2"      | 3,500               | 15            |
| A5112A       | 12"             | 1-1/8"             | 7/8"        | 3,500               | 20            |
| A5112B       | 12"             | 2"                 | 1-3/4"      | 3,500               | 22            |
| A5115B       | 15"             | 1-5/8"             | 1-3/8"      | 3,500               | 24            |
| A5115C       | 15"             | 3"                 | 3"          | 3,500               | 28            |

Load ratings are based on average lead angle when conductors are strung under normal stringing conditions and are conservative.

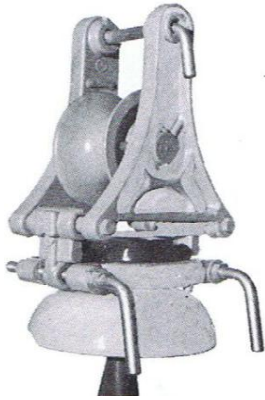
NOTE: Prices do **not** include crossarm grip attachments.

Crossarm Grip Attachment are available for use with 4" x 6" crossarms and 6" x 8" crossarms.

Please state which size of crossarm grip attachment is wanted.

**SEE PAGE BELOW FOR ATTACHMENTS AND ACCESSORIES**

## TIE-TOP INSULATOR ATTACHMENTS



Adapters for  
attaching  
blocks to  
tie-top  
insulators.

Rubber  
lined to  
protect  
insulator.

**TIE-TOP INSULATOR ADAPTER NO. 21 AND NO. 24**

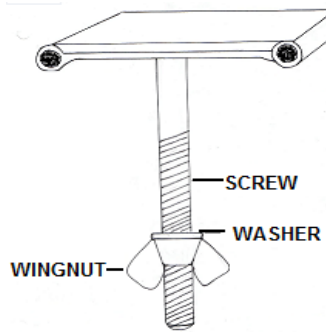
NO. 21 FOR 15KV INSULATOR

NO. 24 FOR 34.5KV INSULATOR

For block nos: A7452; A7453; A7454; A7472; A7482;  
A74102; A74123. Please specify which block number.



## ACCESSORIES



Pin Base Plate for use with the Series A5100, Series A5300, and the Series A7400 blocks. It takes the place of the grips in the spacers between the frames. The screw fits down through the hole in the crossarm of the pole. Please specify the block number to be used with the Pin Base Plate.

**PIN BASE PLATE**