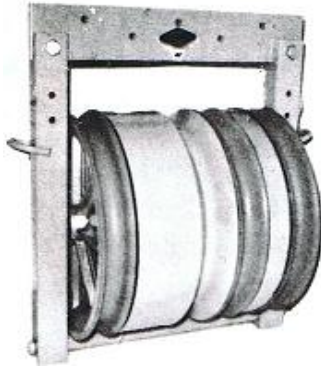


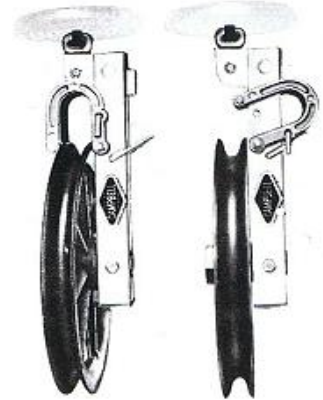
9 SERIES
THREE CONDUCTOR SHEAVE BLOCKS



The blocks illustrated at left may be used for stringing two conductors in regular configuration or three conductors when sheave and space ring is transposed, and a three bundled off-set block is formed.

The pulling line runs in the steel drum sheave thus protecting sheave liner.

Illustration at right shows single blocks: All sizes Series 9 blocks shown on this page may be converted to single blocks with the proper conversion kits. Prices upon application.



9 SERIES

With Three Conductor Sheaves

3-CONDUCTOR BUNDLED BLOCKS

MODEL NUMBER	SHEAVE DIAMETER	BOTTOM OF GROOVE DIAMETER	CONDUCTOR CAPACITY		WORKING LOAD POUNDS	ULTIMATE STRENGTH POUNDS	WEIGHT POUNDS
			WITHOUT LINERS	WITH LINERS			
920	20"	16-1/2"	2"	1-3/4"	12,000	36,000	232
922	22"	18"	2"	1-3/4"	13,000	39,000	257
924	24-1/2"	21"	2"	1-3/4"	13,000	39,000	299
928	28"	24"	2"	1-3/4"	13,000	39,000	304
936	36"	32"	2-1/4"	2"	20,000	60,000	469

Load ratings are based on average lead angle when conductors are strung under normal stringing conditions and are conservative. Blocks should be grounded. Reasonable caution should be used to prevent accidents caused by over-loading and abuse.

For current prices call (918) 756-3640 or E-mail at campbellspecialty@att.net .

